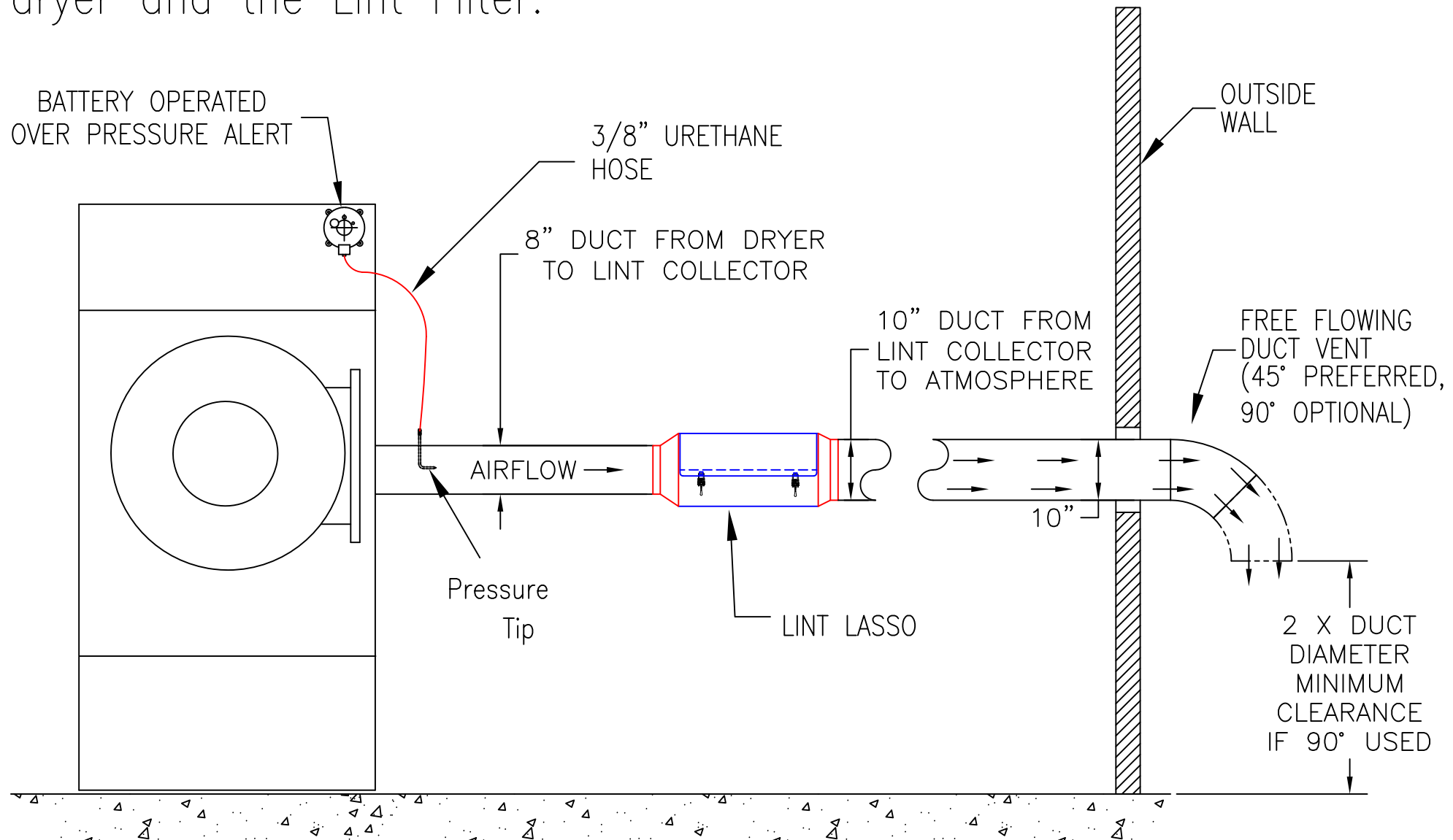


Run urethane hose from Over Pressure Alert to pressure tip.  
Pressure tip for OPA should be mounted in exhaust duct between dryer and the Lint Filter.



(1) 8-10 LINT LASSO INSTALL WALL- BDPS  
CLEAN CYCLE SYSTEMS 6/17/20