

Clean Cycle Systems **SMALL WONDER** Lint Filters

LINT FREE ZONE

CLEAN UP UNSIGHTLY LINT
IMPROVE GROUNDS
PROTECT AC UNITS

OPL-200/300 SERIES

NO UTILITIES REQUIRED

NO WATER
NO ELECTRICITY
NO COMPRESSED AIR

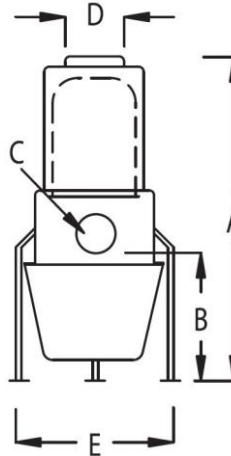
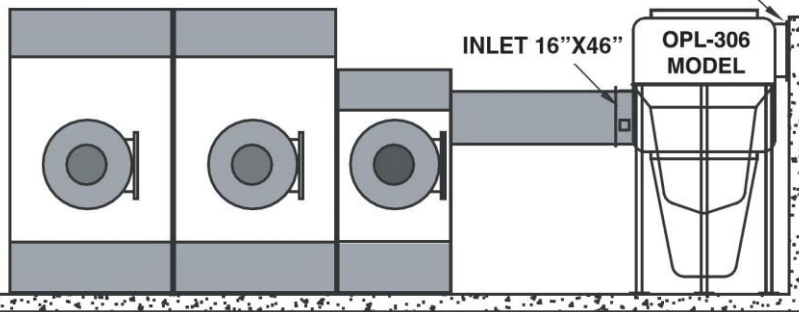
These filters are ideal for smaller facilities like hotels, long-term care, dorms, sports clubs and coin-ops where 1 or more OPL dryers are found.

- ALL models come STANDARD with an ALERT SYSTEM that indicates unit needs cleaning
- Eliminates need for compressed air or water
- 4X +** more efficient than standard internal dryer screens
- Catches 98% of lint that passes through internal dryer screens
- Compact, lightweight, easy to install – Floor, Wall or Ceiling mounted
- NO** moving parts to wear and repair
- Meets Clean Air Regulations
- Reduces fire hazards
- Reduces cleanup & maintenance time
- Stops “Snow in July” Syndrome
(i.e. Lint covered lawns or patios and clogged HVAC Systems)

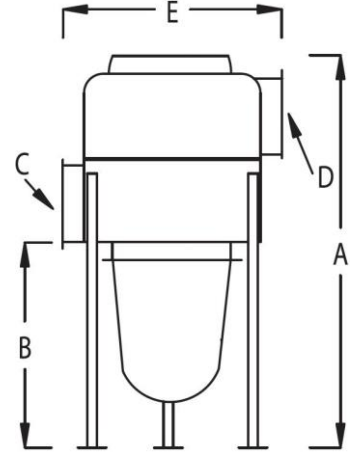


OPL-300 Filter – Installed Outdoors
Keeps Environment Free of Dryer Lint

TWO 120LB + ONE 50LB DRYERS



OPL-200 SERIES



OPL-300 SERIES

SMALL WONDER 200/300 STANDARD SIZES

MODEL	OPL-201	OPL-202	OPL-203	OPL-303	OPL-305	OPL-306	OPL-308	OPL-310
CFM *	1,000	1,800	2,500	3,000	5,000	6,000	8,000	10,000
SCREEN +	6	9	12	16	24	35	44	52
A	46	76	76	82	96	92	104	116
B	16	26	26	44.5	44.5	45	45	45
C	6 / 8	10 / 12	14 x 26	16 x 36	16 x 36	18 x 46	18 x 46	18 x 46
D	12	12	16	16 x 36	16 x 36	18 x 46	18 x 46	18 x 46
E	27	32	36	44	44	56	56	56

* MAXIMUM CFM RATING RECOMMENDED. OVERSIZING FILTER MODEL 10-20% OVER TOTAL DRYER EXHAUST CFM.
+ FIGURES REPRESENT SCREEN AREA IN SQUARE FEET.
ALL DIMENSIONS NOTED ARE IN INCHES

Clean Cycle Systems
filters

A Division of TQI, LLC

CleanCycleSystems.com | CCSystems@TQind.com

PHONE: (830) 401-4400 | TOLL FREE: (800) 826-1245 | FAX: (830) 401-0600



Lint Filter Options + Upgrades

OPL-200/300 SERIES

CLEAN UP UNSIGHTLY LINT
IMPROVE GROUNDS
PROTECT AC UNITS

Please Contact us to discuss your installation
and to discuss the options listed below.

The OPL **Small Wonder** Series 200 & 300 lint filters are especially designed for properties with dryers in the 30 to 170 pound range. Multiple dryers may be vented separately or into a common duct to filter. The compact size of the **Small Wonder** makes them ideal for tight areas where space is premium. The filtration screen is a fine mesh material that catches 98% of the lint that passes through – *typically lint screens found in dryers catch approximately 50-80% of the lint*. The Clean Cycle **Small Wonder** screens are like a large bag; when a dryer is on, the screen floats in the up position, catching the lint. When the dryers are turned off, gravity and the weight of the lint pulls the lint screen down into a large holding bag. Any remaining lint can be removed with the brush of a hand in seconds, if necessary. Lint is collected in a large, reinforced vinyl holding bag. **The filter has no moving mechanical parts, and requires not electricity or compressed air!**

Choosing the Right Model

Due to varying exhaust designs, it is good practice to select a filter rating that is oversized by at least 10% of the dryer's rating. Example: For a dryer installation having a combined total of 8,000 CFM, a filter with 10,000 CFM capacity is recommended.

- **OPL-300 Series Filters** come standard with an Overpressure Alert (Indicates time to clean)
- **All 200 Series** models are standard with top (vertical) outlets.
- **All 300 Series** models are standard with side (horizontal) outlets.

OPTIONS



OPL-202 with
Pre-Wired Pre-Plumbed (PWPP1) and
Emergency Fire Control (EFC)



SPM-BB – Static Pressure Monitor
and Over Pressure Alert Mount



IPS – Inlet Plate
with Slip Collar



WH3 – Weather Hood for Side
Outlet (with bird screen)



BD3 – Barometric Damper on Outlet
(for downstream fan)