

EQUALIZER

DRYER EXHAUST AIR BALANCING SYSTEM

DECREASES ENERGY COSTS

MAXIMIZES DRYER EFFICIENCY

INCREASES PRODUCTIVITY

The EQUALIZER system is *designed to maintain the dryer manufacturer's recommended back pressure* for maximum efficiency. This is achieved by sensing the static pressure level in the exhaust duct system.

The EQUALIZER is designed around your specific application by Clean Cycle System engineers. The EQUALIZER can be used with any Clean Cycle System filter or other brand installations

The EQUALIZER is designed to minimize the positive static pressure (back pressure) in the dryer/filter exhaust air system. By measuring the static pressure in the exhaust system, the control system will adjust the assist fan in order to balance the air flow to achieve the desired static pressure. In most applications, this is a range of 0.0" - 0.3" static pressure W.C. (measured in water column of mercury).

The EQUALIZER is comprised of a BOOSTER FAN and CONTROL PANEL. The control panel includes a VARIABLE FREQUENCY DRIVE (VFD), PRESSURE TRANSMITTER, PRESSURE GAUGE, PRESSURE TIP and TUBE with a NEMA 1 wall mount enclosure. The enclosure includes a UL Approved layout and devices with a user friendly display and push button controls. The location of the fan is determined by each particular application. Typically, the fan is installed downstream from the Lint Filter on the later part of the exhaust duct system.

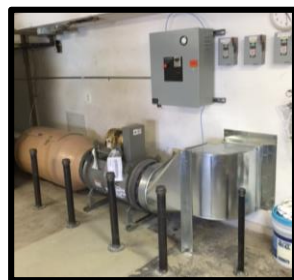
Options:

1. A highly visible stack light can be provided to indicate RUN (green light), FAULT or STOP (red light and horn) and OVERPRESSURE (amber light)
2. Braking Resistor and Line Reactor.

Fans are available through Clean Cycle Systems and are specified according to the application and layout. A variety of assist fan sizes are available along with varying grades to accommodate your needs.



DLF Model with
Equalizer System



Lint Lasso
equipped with
Equalizer System



Horizontal Air Flow
Inline Q-Series



EQ Control
Panel can be
mounted on
most existing
fans



Roof Top Mounting
Options Available

Clean Cycle Systems
filters

A Division of TQI, LLC

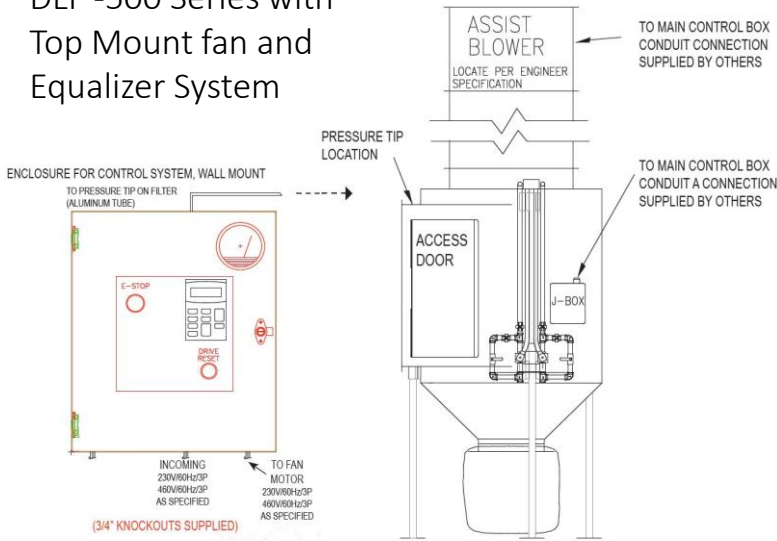
CleanCycleSystems.com | CCSystems@TQind.com

PHONE: (830) 401-4400 | TOLL FREE: (800) 826-1245 | FAX: (830) 401-0600

EQUALIZER

VARIOUS OPTIONS AND LAYOUTS

DLF -500 Series with Top Mount fan and Equalizer System



Q-Series

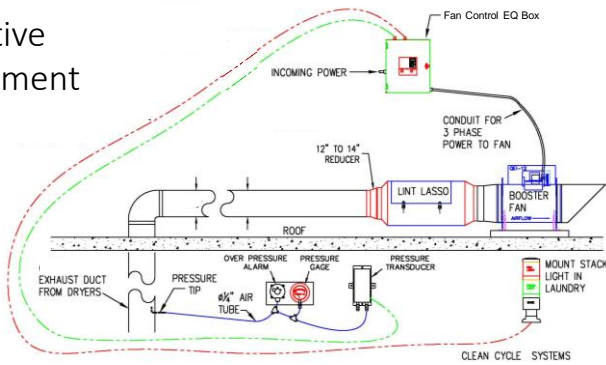
- Up to 40,000 CFM
- Belt Drive Centrifugal Inline Fan
- Premium, Heavy Duty Fan



E-Series

- Up to 22,000 CFM
- Mixed Flow Inline Fan
- High Efficiency, Low Cost
- Medium Duty Fan

Alternative Arrangement



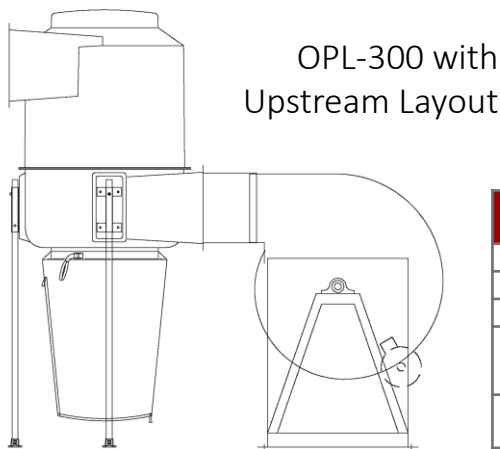
B-Series

- Up to 2,000 CFM
- Centrifugal Wheel Fan
- Galvanized Steel Housing



M-Series

- Up to 22,000 CFM
- Material Air-Handling Wheel
- Centrifugal Utility Fan
- For Lint Laden Air



EQUALIZER MODELS

| MODEL | EQ-1-XX | EQ-2-XX | EQ-3-XX | EQ-5-XX | EQ-7-XX | EQ-10-XX | EQ-15-XX | EQ-20-XX |
|--------------|--------------------|----------------------|-----------|-----------|-----------|-----------|-----------|-----------|
| CFM * | 2,500 | 5,000 | 10,000 | 15,000 | 22,000 | 30,000 | 35,000 | 40,000 |
| HP | 1 | 2 | 3 | 5 | 7.5 | 10 | 15 | 20 |
| Voltage | 230/1 or 208-480/3 | 230/1Ph or 208-480/3 | 208-480/3 | 208-480/3 | 208-480/3 | 208-480/3 | 208-480/3 | 208-480/3 |
| Service Amps | 15/15 | 15/15 | 20/15 | 30/15 | 40/20 | 80/40 | 80/40 | 80/40 |
| DIM (in) | 9x20x24 | 9x20x24 | 9x20x24 | 9x20x24 | 12x24x30 | 12x24x30 | 13x30x30 | 13x32x40 |

XX – Fan Model

* – Maximum CFM

Clean Cycle Systems
filters

A Division of TQI, LLC

CleanCycleSystems.com | CCSystems@TQind.com

PHONE: (830) 401-4400 | TOLL FREE: (800) 826-1245 | FAX: (830) 401-0600