

Clean Cycle Systems

SLIMLINE Lint Filters

SYSTEM 500

LINT FREE ZONE

CLEAN UP UNSIGHTLY LINT
IMPROVE GROUNDS
PROTECT AC UNITS

- Collects **98%** of lint from dryers
- Designed for **MAXIMUM DRYER EFFICIENCY**
- Minimum maintenance & downtime
- "Quick Change" Screens
- Auto-Cleaning
- Accommodates Single or Multiple (small or large) dryers
- Choice of Fiberglass or Stainless Construction
- Custom Capabilities
- Over-Pressure Alert
- Variable Frequency Fans

OPTIONAL FEATURES:

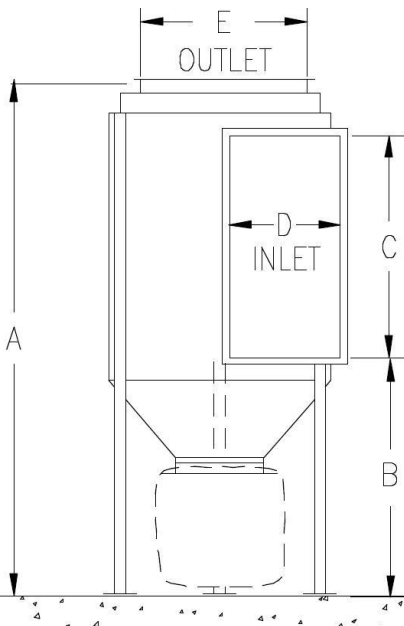
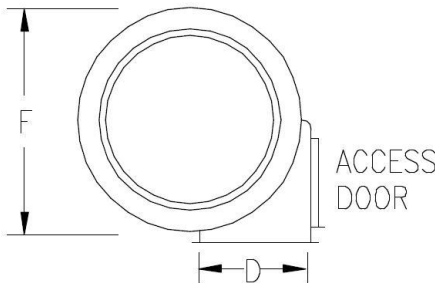
- Fire Suppression
- Horizontal Exhaust
- Assist Blower Fan
- Inlet Transitions (adapter)
- Pre-Wired + Pre-Plumbed
- Custom Sizes
- Air Reservoir Tanks & more – see reverse side



**FRX-CLASS 1
FIRE RETARDANT
FIBERGLASS**



**POLISHED
16 GAUGE
STAINLESS STEEL**



**FOR SINGLE
DRYER
APPLICATIONS**

OR

**MULTIPLE
DRYER
APPLICATIONS**



SYSTEM 500 STANDARD SIZES

MODEL	DLF-504	DLF-506	DLF-510	DLF-511	DLF-515	DLF-518	DLF-522	DLF-530
CFM *	4,000	6,000	10,000	11,000	15,000	18,000	22,500	30,000
SCREEN +	16	22	36	37	45	54	82	102
A	71	81	94	84	96	96	102	114
B	35	39	45	41	46	49	57	53
C	28	30	40	28	40	40	42	50
D	16	20	20	30	30	30	42	50
E	20	24	30	30	30 / 36	36	48	56
F	35	40	46	53	53	67.5	86	86

* MAXIMUM CFM RATING RECOMMENDED. OVERSIZING FILTER MODEL 10-20% OVER TOTAL DRYER EXHAUST CFM.

+ FIGURES REPRESENT SCREEN AREA IN SQUARE FEET.

ALL DIMENSIONS NOTED ARE IN INCHES, STAINLESS STEEL MODELS MAY DIFFER

Clean Cycle Systems
filters

A Division of TQI, LLC

CleanCycleSystems.com | CCSystems@TQind.com

PHONE: (830) 401-4400 | TOLL FREE: (800) 826-1245 | FAX: (830) 401-0600

DLF-500 Series Options & Upgrades

System 500 Models represent a design concept requiring minimum space to install while providing large area filtration. All models are tall, slim, and compact; often referred to as “inline” models. The **DLF-500 Series** filter are all-weather construction and may be mounted inside or outside, even in extreme conditions.

System 500 Models are available in either Fiberglass or Stainless Steel Body Assemblies. Choose from (8) different sizes with CFM Ratings ranging 4,000 to 30,000 CFM. **System 500** Filters may be mounted individually to the dryer or one large filter connected to multiple dryers. Customization is available for special or unique situations – call for details!

The System 500’s screen area is a large cylindrical-shaped, high-temp PECAP or stainless-steel filtration media. The screen stretches over a firmly welded steel cage. An accessible inspection door allows the screen and air wand assembly to be easily maintained. **An automatic “blowdown”** mechanism rotates the top and bottom rotors with air jets, stripping the lint blanket from the screen and allowing gravity to pull it down into a collection bag below. An automatic pre-set timer control and solenoid valve provides periodic release of compressed air to operate the blowdown system and air jets.

Clean Cycle Systems 30+ years of manufacturing filtrations systems allows us to offer you the complete engineering and technical assistance *assuring perfect installation every time*. Parts are readily available and ship across the globe!

Choosing the Right Model

Due to varying exhaust designs, it is good practice to select a filter that is oversized at least 15% of the dryers rating.

Example: For a dryer installation having a combined total of 12,500 CFM, a 15,000 CFM capacity is recommended.

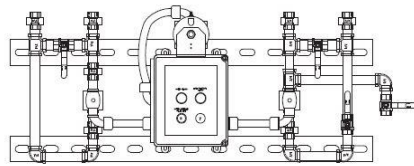


IPT – Inlet Plenum with 5 Slip Collars



VCT 30
Air Tank Reservoir

REMOTE PREWIRED PREPLUMBED OPTION



**Drawing Shown is Pre-Wired Pre-Plumbed
Option Installed on Unit**

CC-104 Aluminum
Collection Drum with
casters



Additional Options

OPA Overpressure Alert

Top / Side (Horizontal) **Outlet**

EFC Emergency Fire Control System

IPM Inlet Plate with Slip Collars - custom on each order

IPT Inlet Plenum with 5 Slip Collars

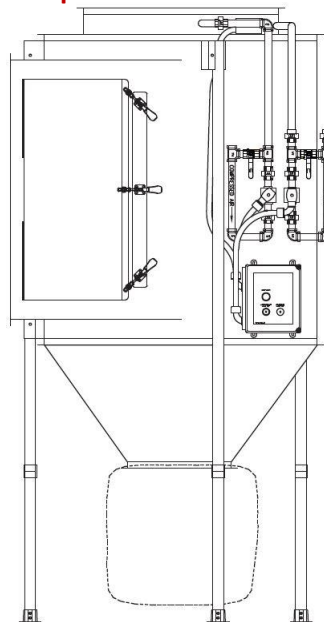
VTC 30, 60, or 80 Gallon Air Reservoir Tank (Vertical with valves, gauge, plugs and fittings)

PWPP Pre-wired & Pre-Plumbed (control box, valves & sensors installed on unit)

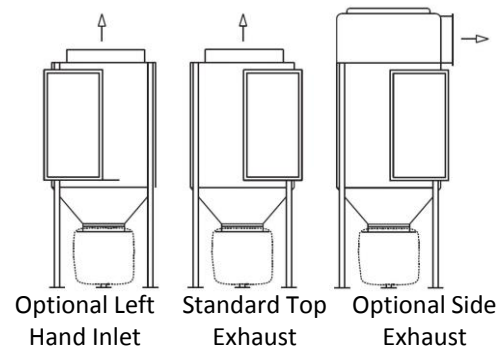
CC-104 Aluminum Lint Drum Cannister on Casters

STANDARD

UL 508 Certified Control Box



OPA, EFC Overpressure
Alert (Switch, Horn,
Light) installed on unit
by factory upon request



A Division of TQI, LLC

CleanCycleSystems.com | CCSystems@TQind.com

PHONE: (830) 401-4400 | TOLL FREE: (800) 826-1245 | FAX: (830) 401-0600