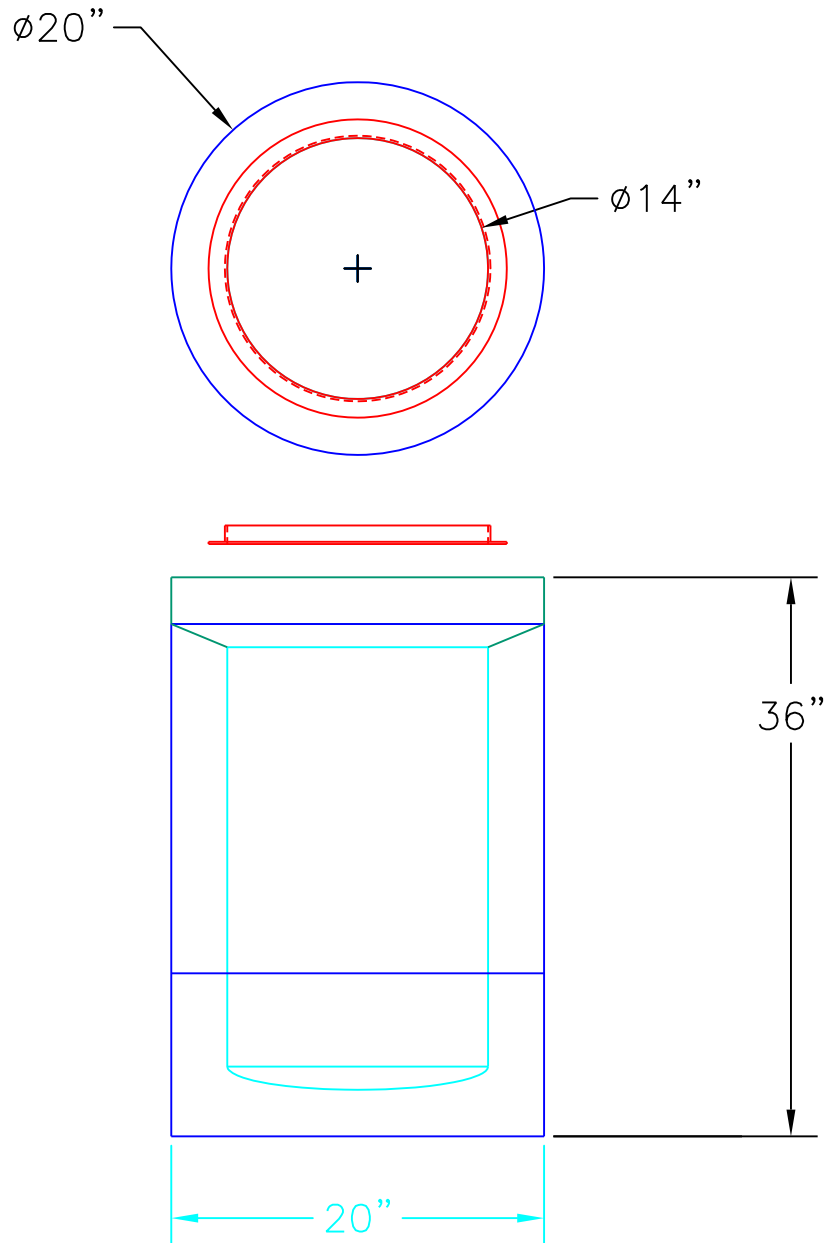



LS-12-14
 RATED MAX. CAPACITY: 2,200 CFM
 STATIC PRESSURE @ 2200 CFM
 0.10" S.P. (clean) to 0.25" S.S. (dirty)



THIS DRAWING AND ALL INFORMATION THEREIN IS THE PROPERTY OF TQ INDUSTRIES AND IS SUBJECT TO RETURN ON DEMAND.
 THIS INFORMATION IS CONFIDENTIAL AND MUST NOT BE MADE PUBLIC OR COPIED UNLESS AUTHORIZED.

| | | | | | |
|--|---|-------------|---------------------|---------------------------|---------|
| UNLESS OTHERWISE SPECIFIED XXX + - .005 XX + - .010 X + - .030 FRA. + - 1/32 ANG. + - 1 DG. | TQ Industries, Ltd. 960 Crossroads Blvd. Seguin, TX 78155 (830)401-4400 | | CLEAN CYCLE SYSTEMS | | REV |
| |  | | LINT SOCK | | |
| DRAWN BY HDP | DATE 3/30/10 | SIZE A | QTY. REQUIRED 1 | DWG NO. LS-12-14_email | |
| CHECKED BY MTR | DATE 3/30/10 | SCALE: 1:10 | | NO | SHEET 1 |