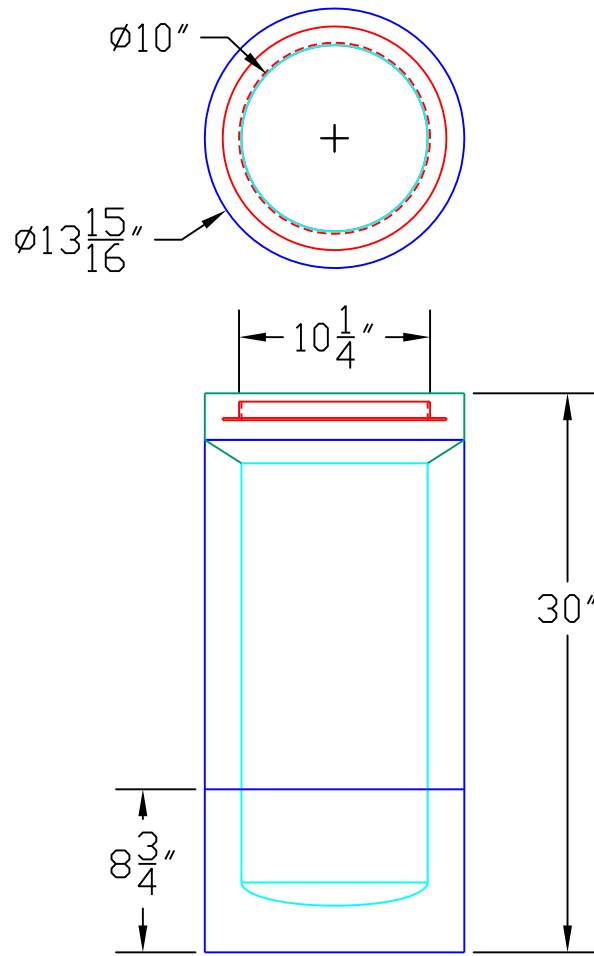


LS-10
1,700 CFM



THIS DRAWING AND ALL INFORMATION THEREON IS THE PROPERTY OF TQ INDUSTRIES AND IS SUBJECT TO RETURN ON DEMAND. AND IS SUBJECT TO RETURN ON DEMAND. THIS INFORMATION IS CONFIDENTIAL AND MUST NOT BE MADE PUBLIC OR COPIED UNLESS AUTHORIZED.

UNLESS OTHERWISE SPECIFIED XXX + - .005 XX + - .010 X + - .030 FRA. + - 1/32 ANG. + - 1 DG.	TQ Industries, Ltd. 960 Crossroads Blvd. Seguin, TX 78155 (830)401-4400		CLEAN CYCLE SYSTEMS LINT SOCK		REV	
	DRAWN BY HDP	DATE 3/30/10	SIZE A	QTY. REQUIRED 1	DWG NO. LS-10_email	
	CHECKED BY MTR	DATE 3/30/10	SCALE: 1:10		SHEET 1	