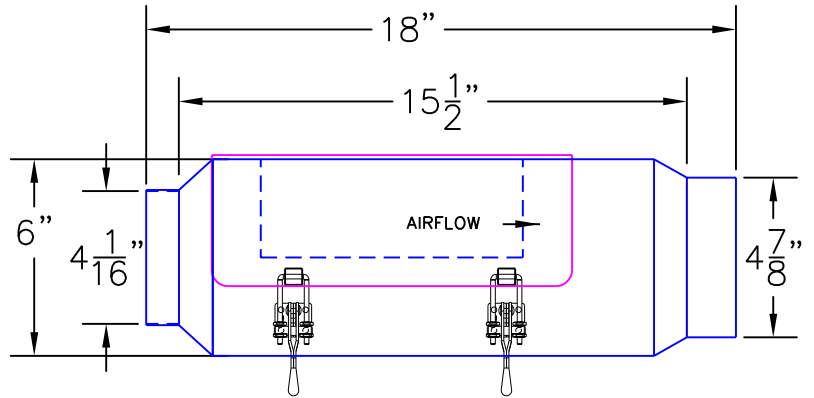
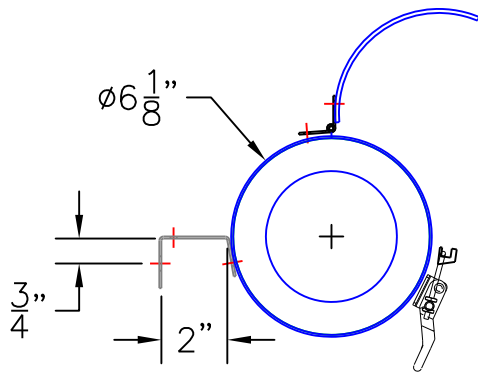



LLS-4-5

STAINLESS STEEL ENCLOSURE
 WELDED CONSTRUCTION
 RATED MAX. CAPACITY: 300 CFM
 STATIC PRESSURE @ 300 CFM CLEAN:
 0.08" S.P. (clean) to 0.25" S.P. (dirty)
 WEIGHT: 25 POUNDS



THIS DRAWING AND ALL INFORMATION THEREON IS THE PROPERTY OF TO INDUSTRIES AND IS SUBJECT TO RETURN ON DEMAND.
 THIS INFORMATION IS CONFIDENTIAL AND MUST NOT BE MADE PUBLIC OR COPIED UNLESS AUTHORIZED.

TQI, LLC 960 Crossroads Blvd. Seguin, TX 78155 (830)401-4400				CLEAN CYCLE SYSTEMS	
				LINT LASSO	
DRAWN BY HDP	DATE 10/25/16	SIZE A	QTY. REQUIRED 1	DWG NO. LLS-4-5_email	REV
CHECKED BY	DATE	SCALE NTS	WO	SHEET 1	