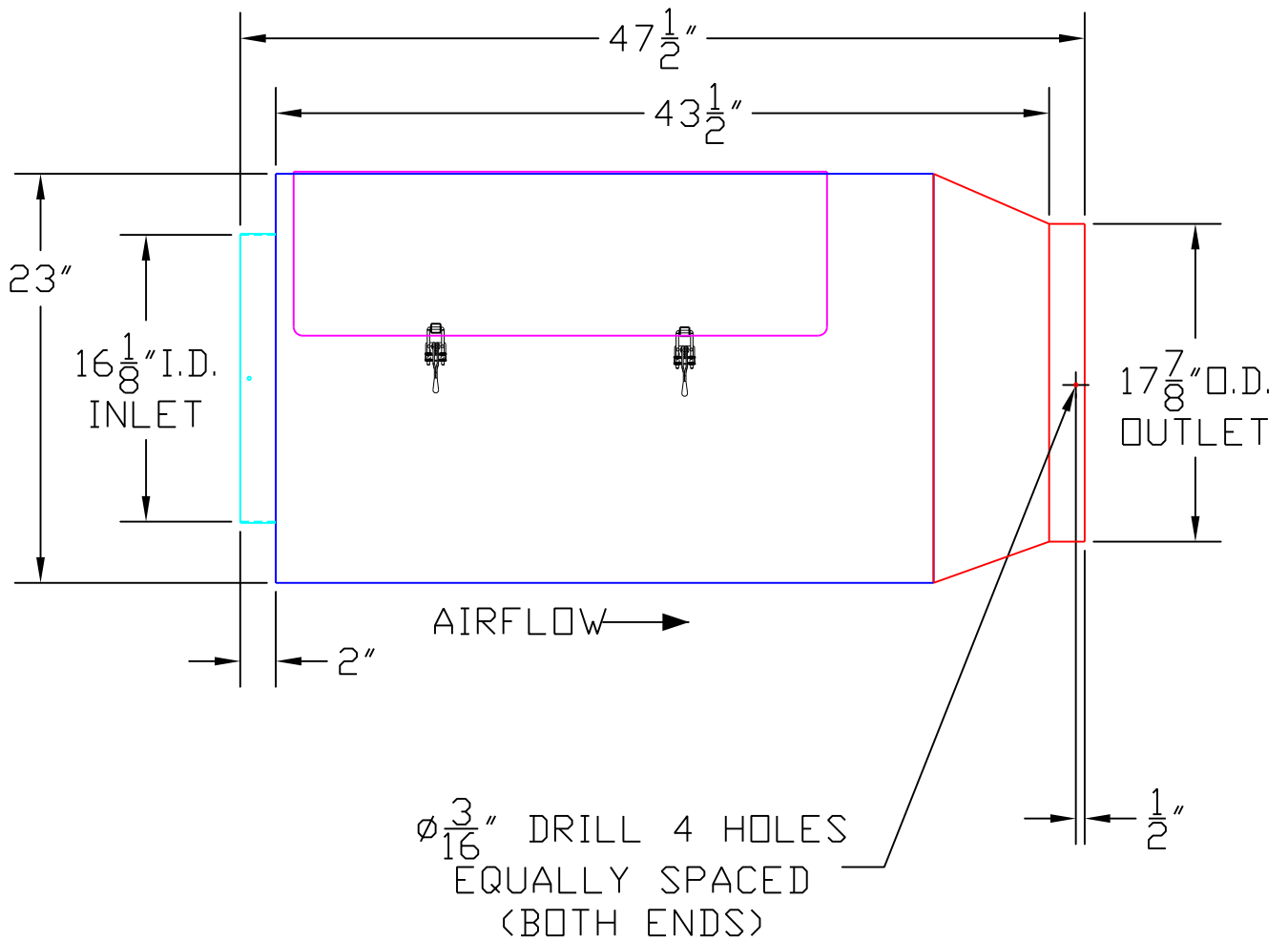


LLS-16-18

STAINLESS STEEL ENCLOSURE
RATED MAX. CAPACITY: 3200 CFM
STATIC PRESSURE: @ 3200 CLEAN
0.08" S.P. (clean) to 0.25" S.P. (dirty)
WEIGHT: 70 POUNDS



THIS DRAWING AND ALL INFORMATION THEREON IS THE PROPERTY OF TO INDUSTRIES AND IS SUBJECT TO RETURN ON DEMAND.
THIS INFORMATION IS CONFIDENTIAL AND MUST NOT BE MADE PUBLIC OR COPIED UNLESS AUTHORIZED.

TQI, LLC
960 Crossroads Blvd.
Seguin, TX 78155
(830)401-4400



CLEAN CYCLE SYSTEMS

LINT LASSO

DRAWN BY HDP	DATE 3/11/15	SIZE A	QTY. REQUIRED 1	DWG NO. LLS-16-18-email	REV
CHECKED BY	DATE	SCALE nts	WO	SHEET 1	