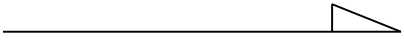
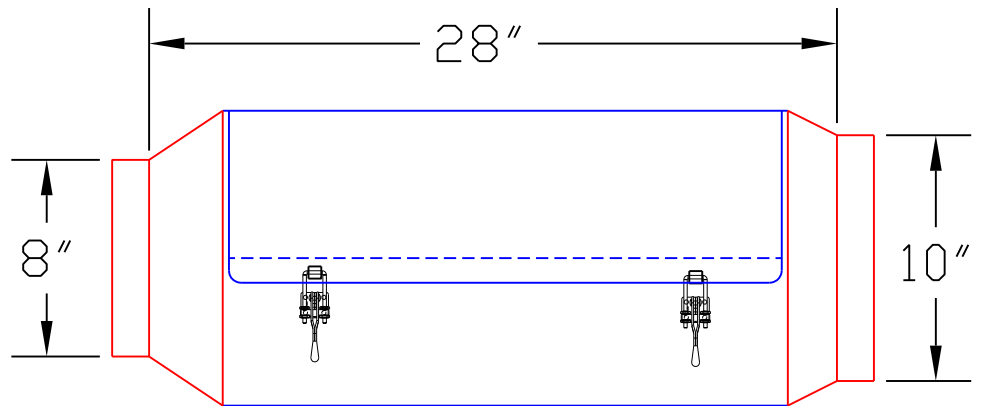
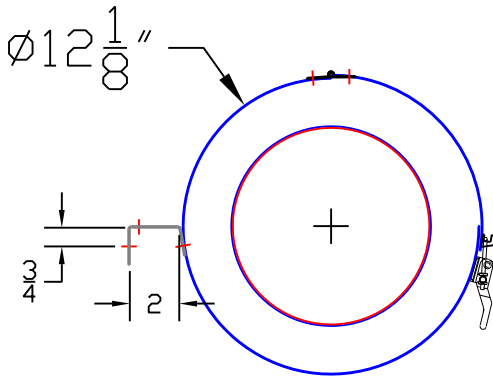


LL-8-10

RATED MAX. CAPACITY: 1000 CFM
STATIC PRESSURE: @ 1000 CLEAN
0.08" S.P. (clean) to 0.25" S.P. (dirty)
UNIT WEIGHT: 16 POUNDS

AIRFLOW 



THIS DRAWING AND ALL INFORMATION THEREON IS THE PROPERTY OF TQ INDUSTRIES AND IS SUBJECT TO RETURN ON DEMAND.
THIS INFORMATION IS CONFIDENTIAL AND MUST NOT BE MADE PUBLIC OR COPIED UNLESS AUTHORIZED.

TQI, LLC
960 Crossroads Blvd.
Seguin, TX 78155
(830)401-4400



CLEAN CYCLE SYSTEMS

LINT LASSO

DRAWN BY HDP	DATE 8/5/11	SIZE A	QTY. REQUIRED 1	DWG NO. LL-8-10_email	REV
CHECKED BY MTR	DATE 8/5/11	SCALE 1:8	NO	SHEET 1	