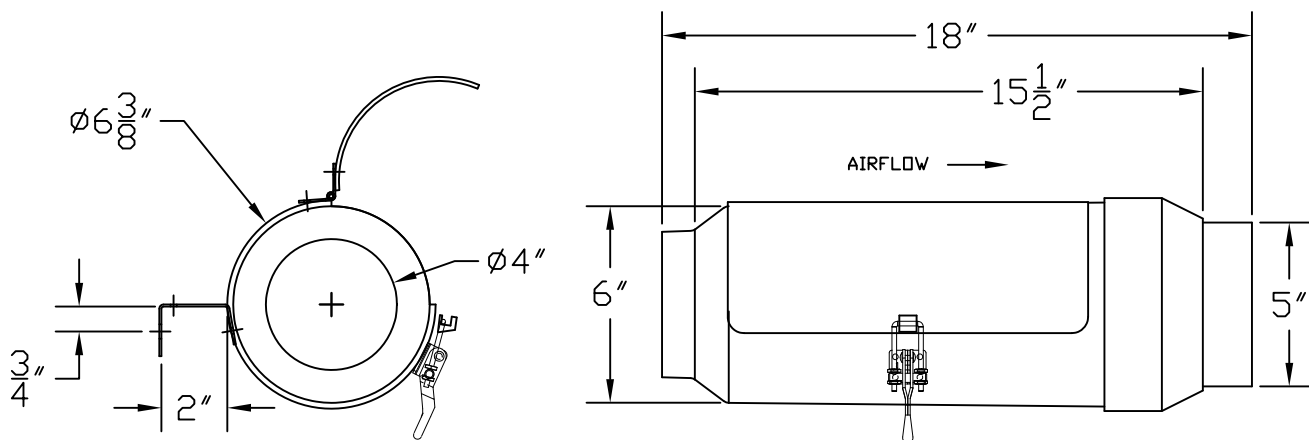



LL-4-5

RATED MAX. CAPACITY: 300 CFM
 STATIC PRESSURE @ 300 CFM
 0.08" S.P. (clean) to 0.25" S.P. (dirty)



THIS DRAWING AND ALL INFORMATION THEREON IS THE PROPERTY OF TQ INDUSTRIES AND IS SUBJECT TO RETURN ON DEMAND. AND IS SUBJECT TO RETURN ON DEMAND. THIS INFORMATION IS CONFIDENTIAL AND MUST NOT BE MADE PUBLIC OR COPIED UNLESS AUTHORIZED.

UNLESS OTHERWISE SPECIFIED XXX + - .005 XX + - .010 X + - .030 FRA. + - 1/32 ANG. + - 1 DG.	TQI, LLC 960 Crossroads Blvd. Seguin, TX 78155 (830)401-4400		CLEAN CYCLE SYSTEMS		
			LINT LASSO		
DRAWN BY HDP	DATE 7/24/15	SIZE A	QTY. REQUIRED 1	DWG NO. LL-4-5_email	REV
CHECKED BY	DATE	SCALE NTS	WO	SHEET	1