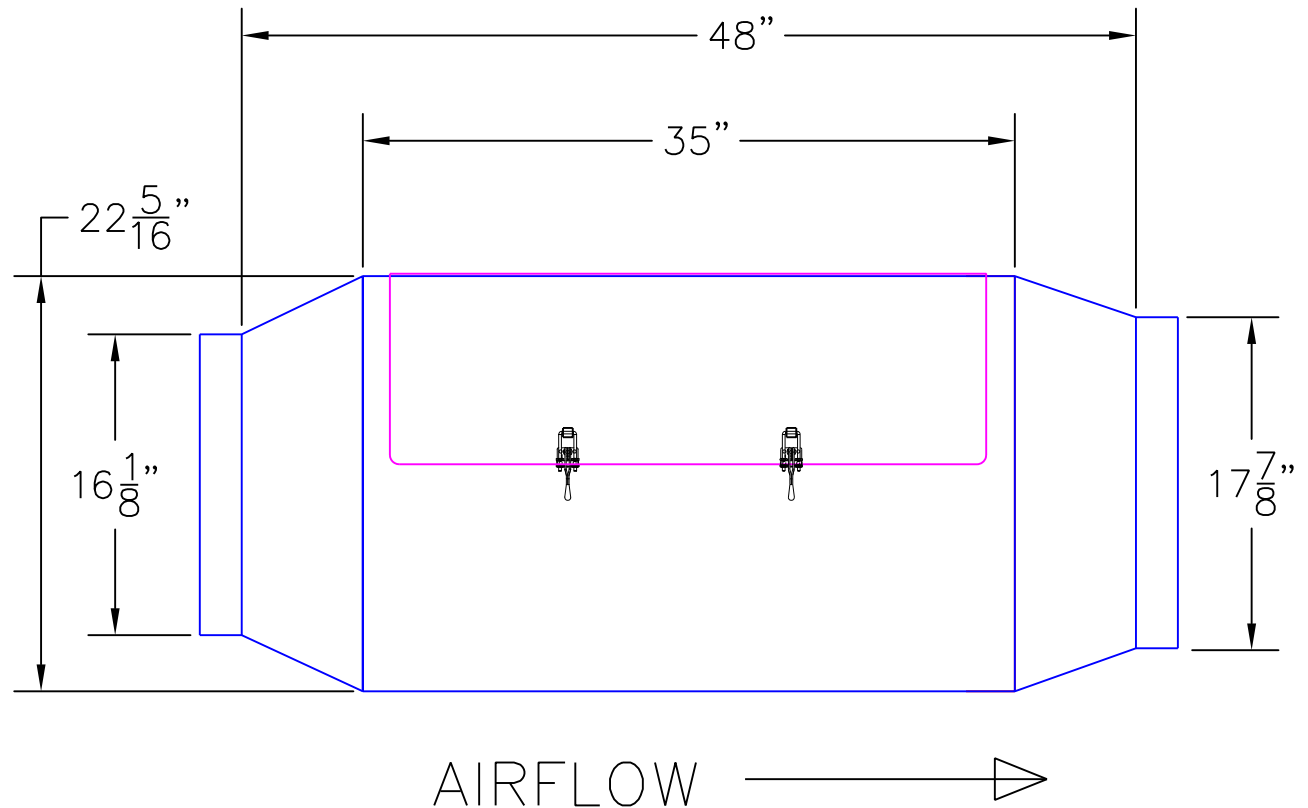
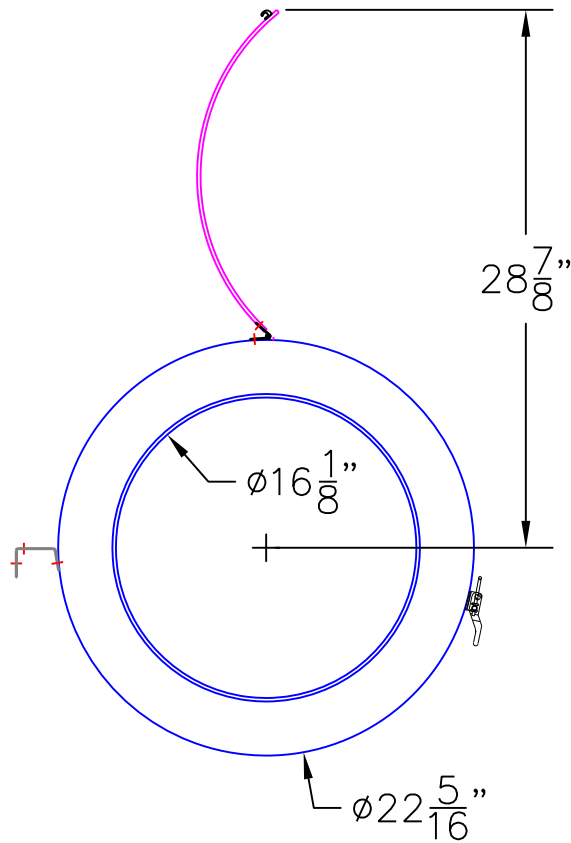



LL-16-18

METAL AND FIBERGLASS ENCLOSURE
RATED MAX. CAPACITY: 3400 CFM
STATIC PRESSURE: @ 3400 CLEAN
0.08" S.P. (clean) to 0.25" S.P. (dirty)
WEIGHT: 47 POUNDS



THIS DRAWING AND ALL INFORMATION THEREON IS THE PROPERTY OF TQ INDUSTRIES AND IS SUBJECT TO RETURN ON DEMAND.
THIS INFORMATION IS CONFIDENTIAL AND MUST NOT BE MADE PUBLIC OR COPIED UNLESS AUTHORIZED.

TQI, LLC 960 Crossroads Blvd. Seguin, TX 78155 (830)401-4400				CLEAN CYCLE SYSTEMS	
				LINT LASSO	
DRAWN BY HDP	DATE 2/12/16	SIZE A	DTY. REQUIRED 1	DWG NO. LL-16-18_email	REV
CHECKED BY	DATE	SCALE NTS	NO	SHEET	1