



## **SPECIFICATIONS OPL-310 Dry Lint Filter**

The model **OPL-310** Filter collects lint produced from multiple laundry dryer applications. This unit requires minimal maintenance, simple to install and is a cost efficient solution to unsightly and potentially dangerous lint buildup.

Body: The housing is made out of fire retardant laminating resin (Fiberglass). The unit comes with four adjustable 1" aluminum pipe legs for floor mounting.

Filtering: An inner bag-like floating fine mesh screen (180 micron polyester) is designed to filter 98% of lint passing through the chamber.

Lint Collection: Lint drops or shaken off the screen into a fire retardant vinyl holding bag. The bag is equipped with two zippers for easy lint removal and screen cleaning.

Controls: A static pressure switch with audible alert is activated when a High Pressure situation occurs indicating the screen needs to be checked.

**Max. Capacity:** 10,000 CFM

**Shipping Weight:** 700 lbs.

**Screen Area:** 52 Sq. Ft.

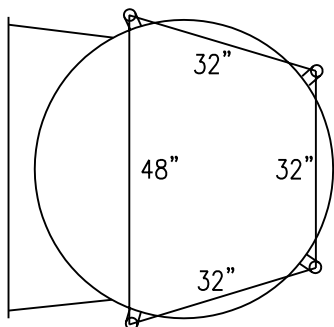
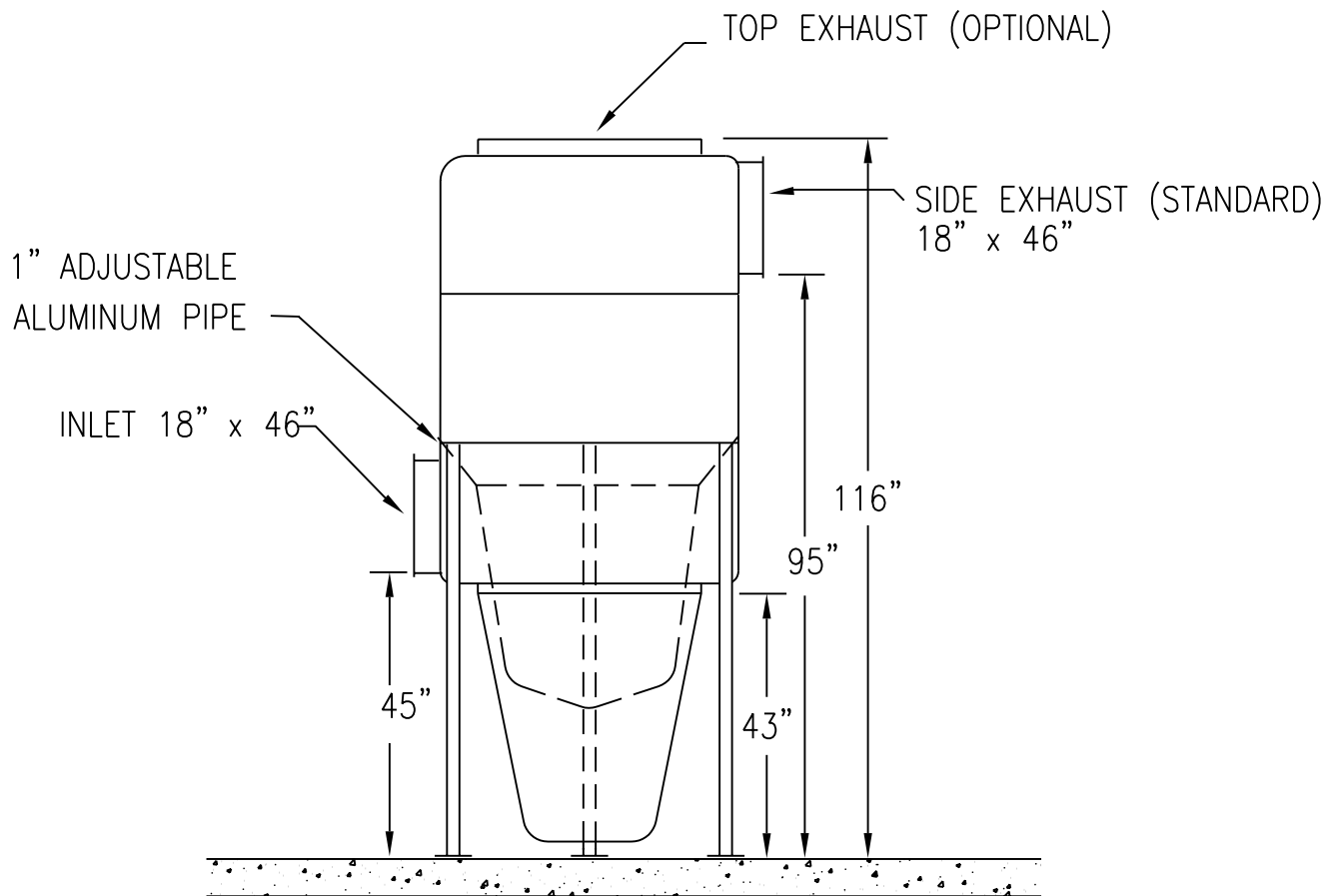
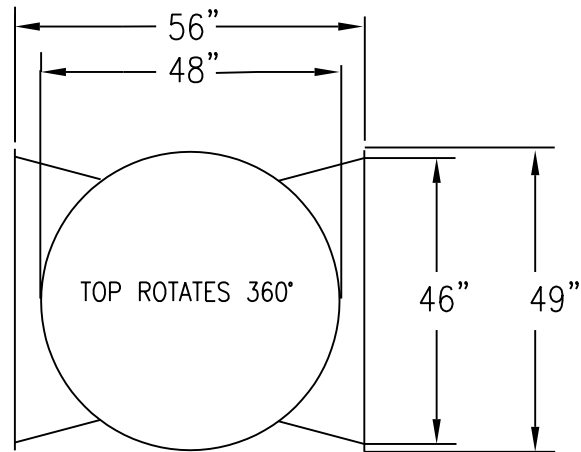
**Shipping Cube:** 60"W x 60"L x 80"H

**Screen Change Time:** 5 min.

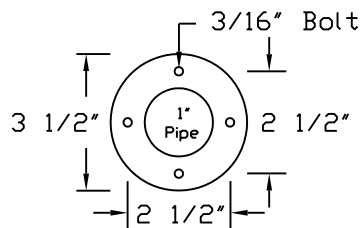
**Ave. Static Press. drop (Filter) :** 0.2" WC @ 8000 cfm

**Electrical Req.:** 110V, 50/60 Hz, 1 amp (for remote Pressure Switch only)

# OPL - 310



## FLOOR FLANGE



LINT FILTER-ASSEMBLY-INSTALLATION  
MODEL OPL-310 10,000 CFM

CLEAN CYCLE SYSTEMS

A DIVISION OF TQ INDUSTRIES

960 CROSSROADS BLVD., SEGUIN, TX 78155

830-401-4400

DATE 06/04

SCALE NONE

DRAWING NO.