



SPECIFICATIONS OPL-308 Dry Lint Filter

The model **OPL-308** Filter collects lint produced from multiple laundry dryer applications. This unit requires minimal maintenance, simple to install and is a cost efficient solution to unsightly and potentially dangerous lint buildup.

Body: The housing is made out of fire retardant laminating resin (Fiberglass). The unit comes with four 1" aluminum pipe legs for floor mounting.

Filtering: An inner bag-like floating fine mesh screen (180 micron polyester) is designed to filter 98% of lint passing through the chamber.

Lint Collection: Lint drops or shaken off the screen into a fire retardant vinyl holding bag. The bag is equipped with two zippers for easy lint removal and screen cleaning.

Controls: A static pressure switch with audible alert is activated when a High Pressure situation occurs indicating the screen needs to be checked.

Capacity: 8,000 CFM

Screen Area: 44 Sq. Ft.

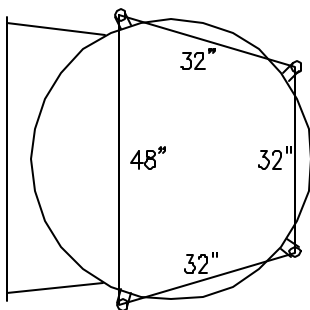
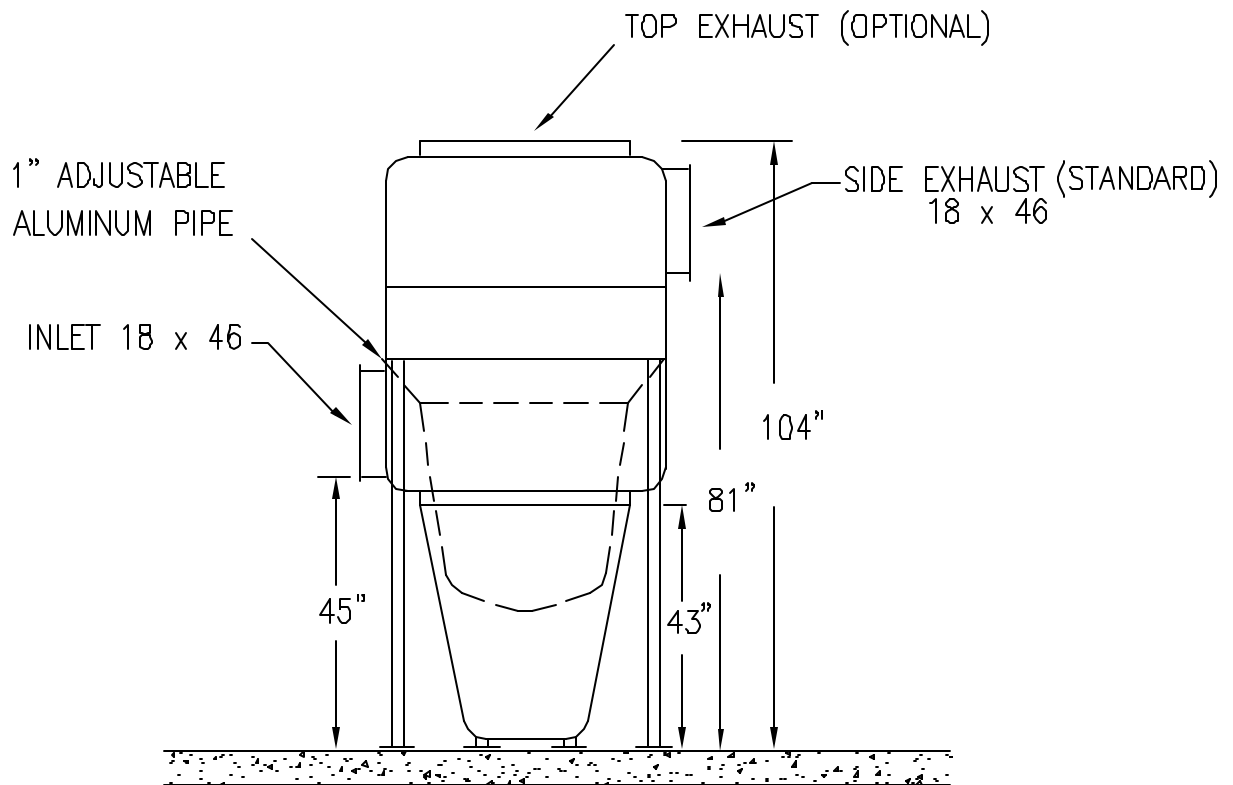
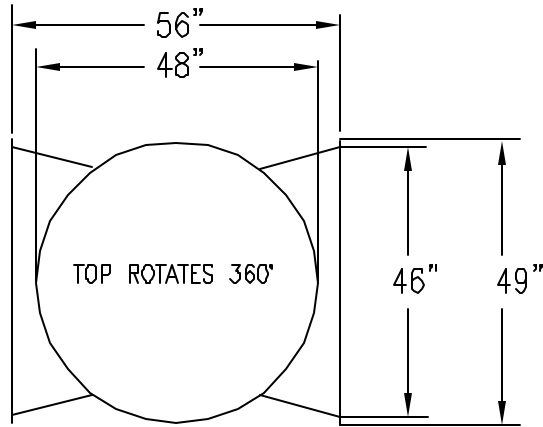
Screen Change Time: 5 min.

Electrical Req.: 110V, 50/60 Hz, 3 amp

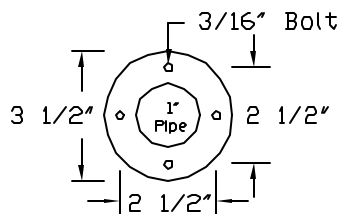
Shipping Weight: 500 lbs.

Shipping Cube: 60"W x 60"L x 68"H

Ave. Static Press. drop (Filter) : 0.2" WC



FLOOR FLANGE



LINT FILTER-ASSEMBLY-INSTALLATION
MODEL OPL-308 8,000 CFM

CLEAN CYCLE SYSTEMS
A DIVISION OF TQ INDUSTRIES
960 CROSSROADS BLVD., SEGUIN, TX 78155
830-401-4400

DATE	08/04
SCALE	NONE
DRAWING NO.	cc508-s