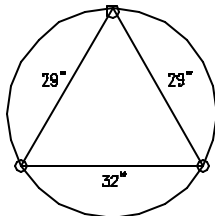
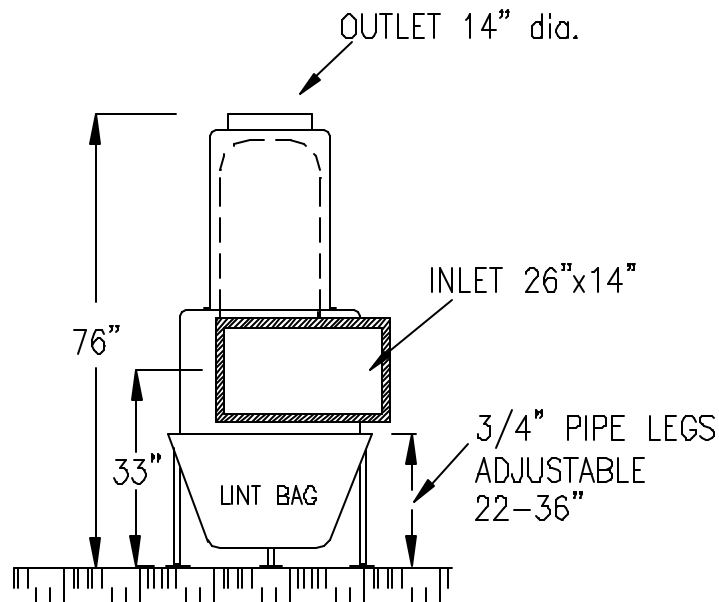
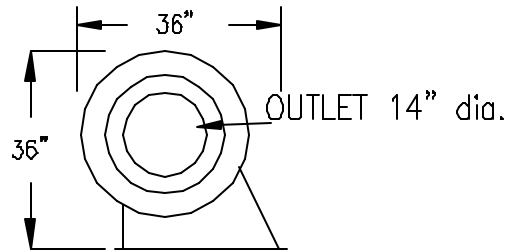


The Small Wonder OPL-203

OPL-203

Capacity: 2,500 CFM
Filter Screen: 12 sq.ft.
Net Weight: 75 LBS

Utility Conn.: N/A
Avg. Static Press.: 0.25" W.C.
Shipping Weight: 180



LINT FILTER-ASSEMBLY-INSTALLATION
MODEL OPL-203

CLEAN CYCLE SYSTEMS
A DIVISION OF TQ INDUSTRIES
980 CROSSROADS BLVD.
830-401-4400

DRAWN BY
MTR
SCALE
DRAWING NO.
RE203