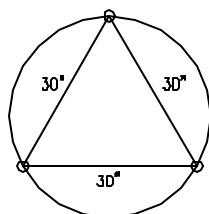
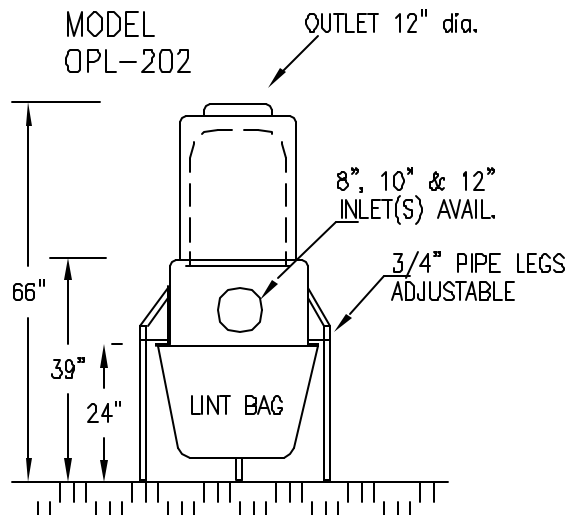
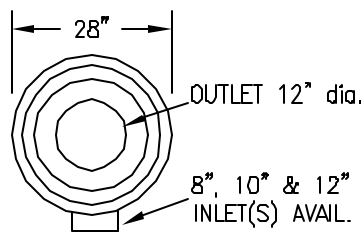


The Small Wonder OPL-202

	<u>OPL-202</u>
MAXIMUM CFM	1800 CFM
SCREEN AREA	9 SQ.FT.
SHIPPING WT.	60 LBS



LINT FILTER-ASSEMBLY-INSTALLATION
MODEL OPL-202

CLEAN CYCLE SYSTEMS
A DIVISION OF TECNI-QUIP, INC.
960 CROSSROADS BLVD.
830-401-4400

DRAWN BY MTR
SCALE
DRAWING NO. cc202-201