

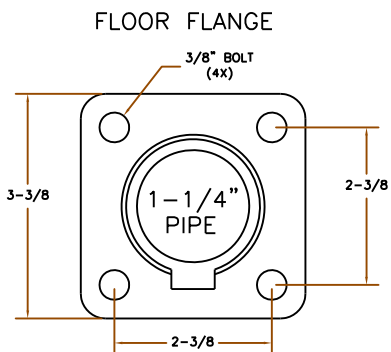
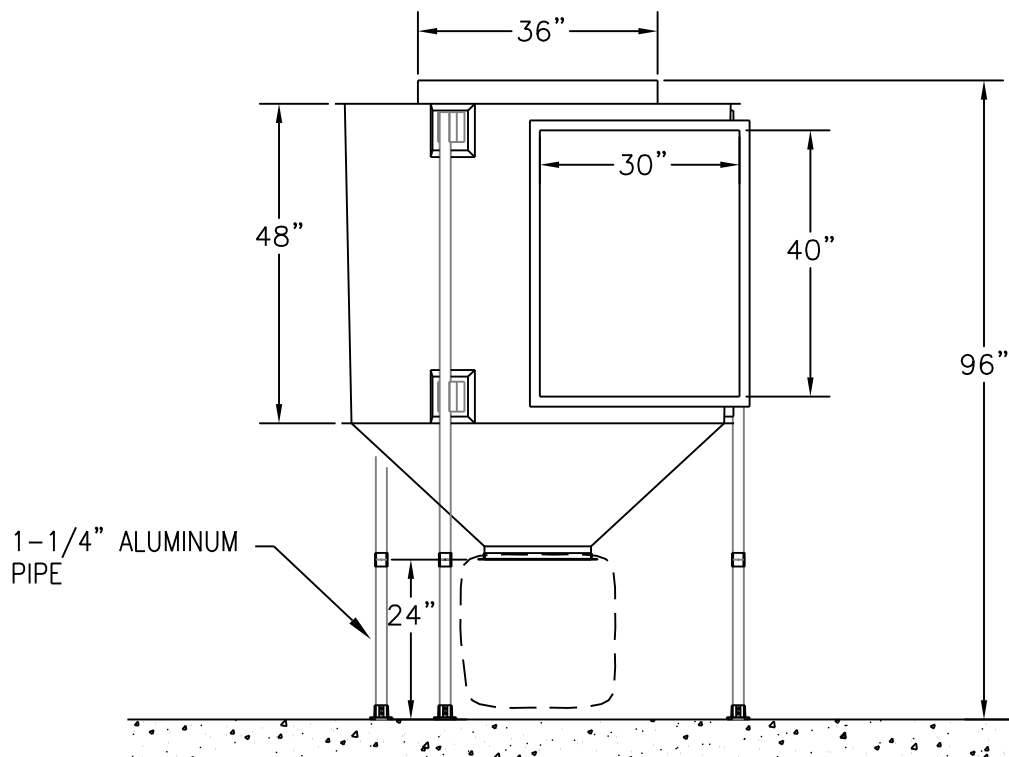
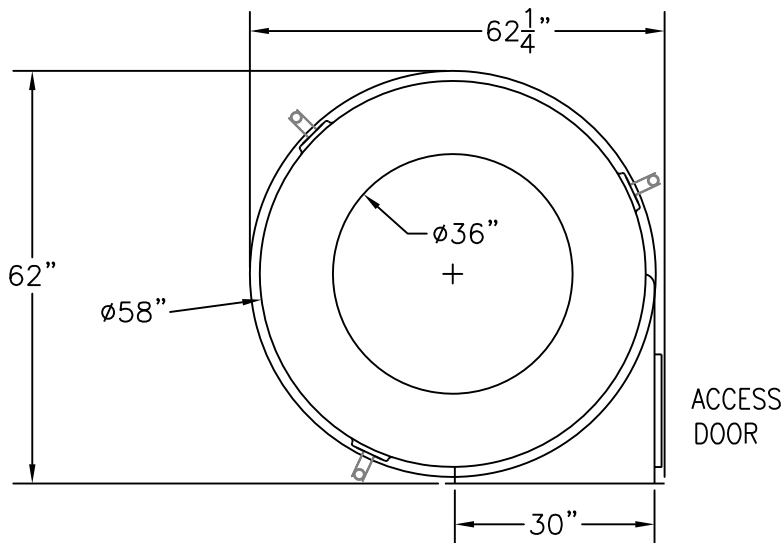


SPECIFICATIONS
DLF-518-W Dry Lint Filter

System 500 models represent a design concept requiring minimum space to install while providing large area filtration screens. All models are tall, slimline, and compact; often referred to as "inline" or inside models. **System 500** models are all-weather construction and may be mounted outside.

Max. Capacity: 18,000 CFM
Screen Area: 57 Sq. Ft.
Screen Change Time: 15-30 min.
Compressed Air: 50 Gal @ 110 psi
Electrical Req.: 115V/1P, 3 amp

Shipping Weight: 750 lbs.
Shipping Cube: 68"W x 68"L x 76"H
Ave. Static Pressure: 0.25 WC
Blowdown Time: 10-15 sec



LINT FILTER-ASSEMBLY-INSTALLATION
MODEL DLF-518 RH INLET

CLEAN CYCLE SYSTEMS
A DIVISION OF TECNI-QUIP, INC.
960 CROSSROADS BLVD, SEGUIN, TX 78155
830-401-4400

DRAWN BY	HDP
DATE	10/20/08
DRAWING NO.	cc518-W