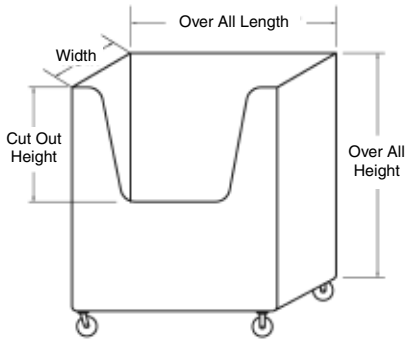


MEASUREMENT GUIDE FOR BULK & TURN-ABOUT "ROUNDTRIPPER" CART COVERS

PLEASE MAKE AS MANY COPIES OF THIS FORM AS NEEDED



BULK COVERS

Quantity: _____

Measurements: _____ W _____ L _____ H (Height of cover should exceed Cut-Out by 2"-3")

Material Type: 16oz. Vinyl (Heavy Duty) 10oz. Vinyl Poly Denier

Please see **Options & Upgrade Page**

Handle Cut-Outs (Describe locations please)

Color 10oz. Vinyl:

Slate Blue Mauve Dark Blue Tan
 Other Color preferred _____

Stenciling Your Wording:

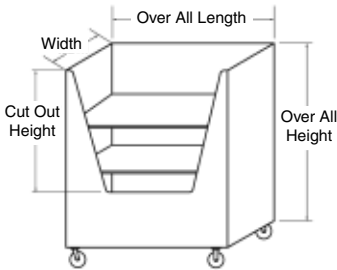
Color Poly Denier:

Burgundy Tan Dark Blue Charcoal Grey
 Other Color preferred _____

Transparent routing or inventory pockets (9"x12" Standard)
 or your size requirement _____" x _____"

External pocket for soiled, reject linen or inventory forms

Comments/Special Request: _____



TURN-ABOUT - ROUNDTRIPPER COVERS

Quantity: _____

Measurements: _____ W _____ L _____ H (Height of cover should exceed Cut-Out by 2"-3")

Please see **Options & Upgrade Page**

Handle Cut-Outs (Describe locations please)

Stenciling Your Wording:

Material Type: 16oz. Vinyl (Heavy Duty) 10oz. Vinyl Poly Denier

Color 10oz. Vinyl:

Slate Blue Mauve Dark Blue Tan
 Other Color preferred _____

Transparent routing or inventory pockets (9"x12" Standard)
 or your size requirement _____" x _____"

Color Poly Denier:

Burgundy Tan Dark Blue Charcoal Grey
 Other Color preferred _____

External pocket for soiled, reject linen or inventory forms

Name _____ Title _____

Company/Facility _____

Address _____ City _____ State _____ Zip Code _____

Phone Number _____ Fax Number _____ E-mail _____

PLEASE FAX OR E-MAIL THIS INFORMATION TO US • FAX: 830-401-0600 • E-MAIL: sales@tqind.com

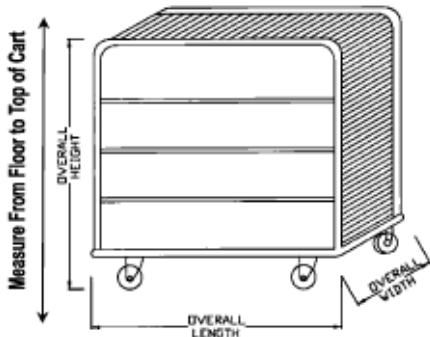


960 Crossroads Blvd. • Seguin, Texas 78155 • Local & Int'l Ph: 830-401-4400
 Fax: 830-401-0600 www.tqind.com • TOLL FREE 800-826-1245

Form: BTC-11

MEASUREMENT GUIDE FOR FRONT TYPE & BASKET COVERS BY TECNI-QUIP

PLEASE MAKE AS MANY COPIES OF THIS FORM AS NEEDED



FRONT COVERS

If you are measuring a **TECNI-QUIP** cart, please record the outside width, length and height.

When measuring **OTHER BRANDS** of carts please record the length and the height where the cover is to fit.

Quantity: _____

Measurements: _____ W _____ L _____ H (Height: See above explanation.)

Corners: Square Rounded

Material Type: 16oz. Vinyl (Heavy Duty) 10oz. Vinyl Transparent Pass Through

Closure: Zipper Velcro

Color 16oz. Vinyl: Teal Slate Blue Gray Dark Blue Tan
 Other Color preferred _____

Color 10oz. Vinyl: Slate Blue Mauve Dark Blue Tan
 Other Color preferred _____

Color Poly Denier: Burgundy Tan Dark Blue Charcoal Grey
 Other Color preferred _____

Please see **Options & Upgrade Page**

Handle Cut-Outs (Describe locations please)

Stenciling Your Wording: _____

Transparent routing or inventory pockets (9"x12" Standard)
 or your size requirement _____" x _____"

External pocket for soiled, reject linen or inventory forms

Transport Webbing

Comments/Special Request: _____

BASKET COVERS



The covers available for clean or soiled laundry-processing carts are constructed with a 12" drop from the lip of the cart. The covers are constructed of Rip Cord, fabric or Poly Denier with a bungee cord inserted to secure the cover.

Quantity: _____

Measurements: _____ W _____ L

Color 10oz. Vinyl:

Slate Blue Mauve Dark Blue Tan
 Other Color preferred _____

Color Poly Denier:

Burgundy Tan Dark Blue Charcoal Grey
 Other Color preferred _____
 Stenciling Your Wording: _____

Comments/Special Request: _____

Name _____ Title _____

Company/Facility _____

Address _____ City _____ State _____ Zip Code _____

Phone Number _____ Fax Number _____ E-mail _____

PLEASE FAX OR E-MAIL THIS INFORMATION TO US • FAX: 830-401-0600 • E-MAIL: sales@tqind.com



960 Crossroads Blvd. • Seguin, Texas 78155 • Local & Int'l Ph: 830-401-4400
 Fax: 830-401-0600 www.tqind.com • TOLL FREE 800-826-1245